

Capillary Ultrafiltration Module

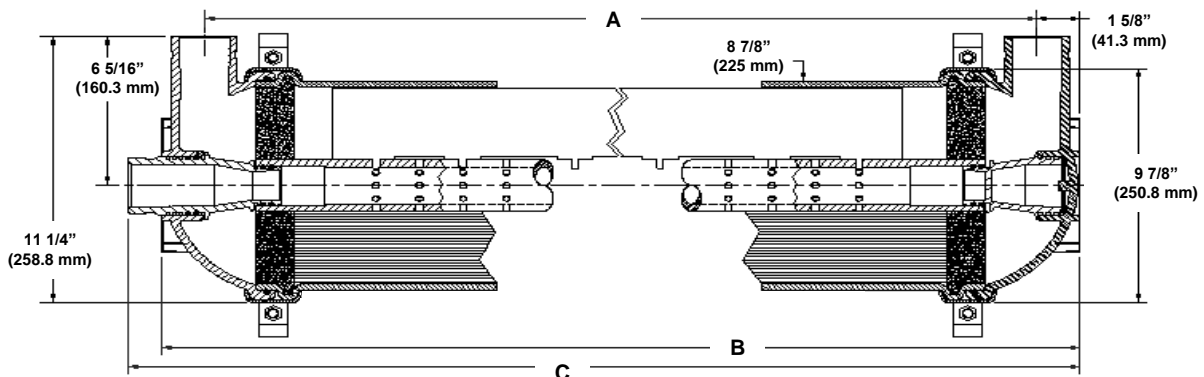
HYDRAcap60-LD

Performance[†]	Filtrate Flow:	7.8 – 19 gpm (1.8 – 4.3 m ³ /h)
	Filtrate Turbidity:	≤ 0.07 NTU
	Virus removal:	≥ 4 log
	Bacteria removal:	≥ 4 log
Type	Configuration:	Capillary Ultrafiltration Module
	Membrane Polymer:	Hydrophilic Polyethersulfone
	MWCO, nominal:	150,000 Daltons
	Nominal Membrane Area:	323 ft ² (30 m ²)
	Fiber Dimensions:	ID 0.047" (1.2 mm), OD 0.08" (2.0 mm)

Application Data[‡]	Typical Filtrate Flux Range:	35 – 85 gfd (59 – 145 l/m ² /h)
	Maximum Applied Feed Pressure:	73 psig (5 bar)
	Maximum Transmembrane Pressure:	20 psig (1.4 bar)
	Maximum Backwash Transmembrane Pressure:	20 psig (1.4 bar)
	Instantaneous Chlorine Tolerance:	100 ppm*
	Instantaneous Hydrogen Peroxide Tolerance:	200 ppm*
	Maximum Chlorine Exposure:	100,000 ppm-hrs
	Maximum Instantaneous Feed Turbidity:	200 NTU
	Maximum Operating Temperature:	104 °F (40 °C)
	pH Operating Range:	4.0 - 10.0
	Cleaning pH Range:	1.5 – 13.0
	Operating Mode:	Inside to Outside Filtration Direct flow or Crossflow

Typical Process Conditions

Backwash Flux:	100 – 150 gfd (170 – 255 l/m ² /h)
Backwash Duration:	30 – 60 seconds
Backwash Frequency:	20 – 60 minutes
Chemical Enhanced Backwash Frequency:	0 – 4 times per day
Chemical Enhanced Backwash Duration:	1 – 30 minutes
Disinfection Chemicals:	NaOCl, H ₂ O ₂ , ClO ₂ or NH ₂ Cl
Cleaning Chemicals:	HCl, H ₂ SO ₄ , NaOH or Citric Acid



A, inches (mm)	B, inches (mm)	C, inches (mm)	Pipe connections	Weight, lbs. (kg) ave.
63 (1600)	66 1/8 (1680)	67 1/4 (1708)	2" Victaulic	97 (44)

Certifications: NSF61, CA-DHS and ETV-NSF Verification

* For 15 minutes or less.

† Typical module performance for most feedwaters.

‡ The limitations shown here are for general use. The values may be more conservative for specific projects to ensure the best performance and longest life of the membrane.

Notice: Weight stated is shipping weight including 1L of a 0.95% solution of sodium bisulfite preservative.

Hydranautics believes the information and data contained herein to be accurate and useful. The information and data are offered in good faith, but without guarantee, as conditions and methods of use of our products are beyond our control. Hydranautics assumes no liability for results obtained or damages incurred through the application of the presented information and data. It is the user's responsibility to determine the appropriateness of Hydranautics' products for the user's specific end uses.



5/21/12